



USER WEIGHT MAX.

150 KG



ASSEMBLY TIME

~15 MIN



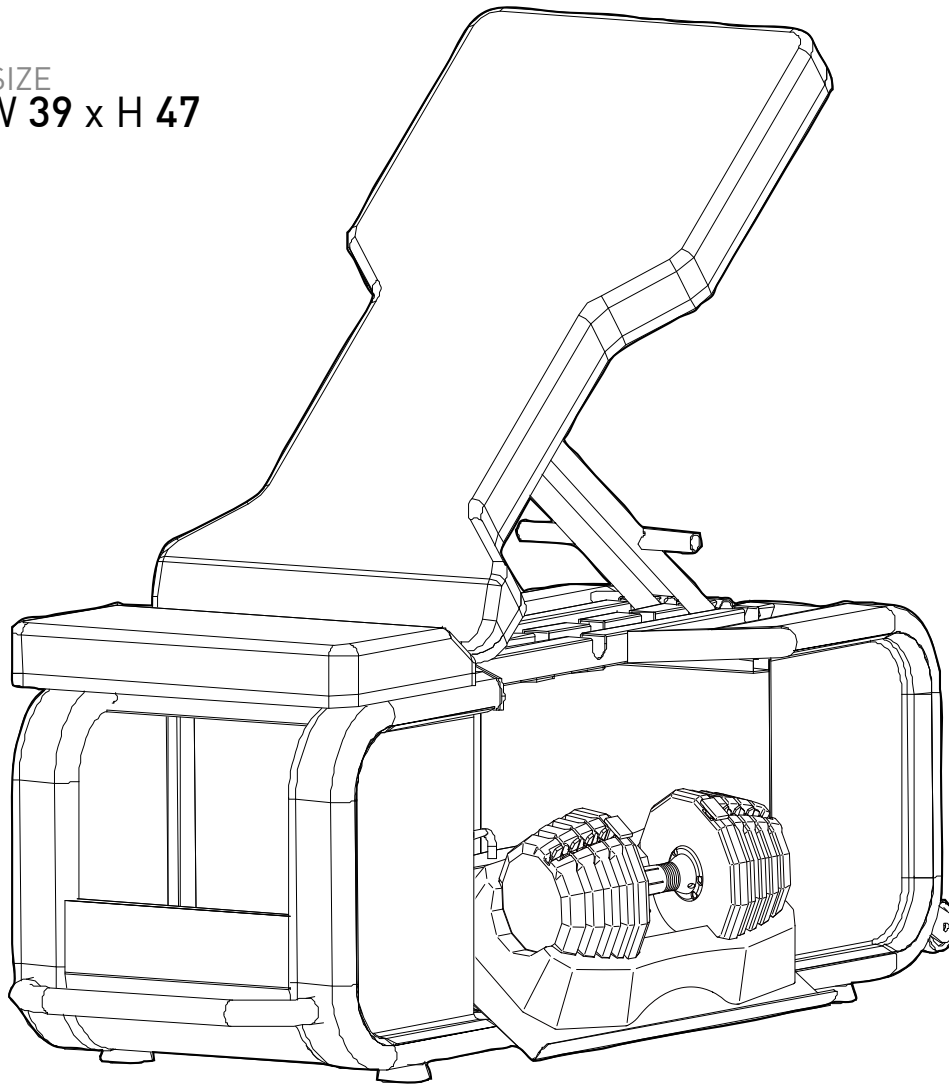
PRODUCT WEIGHT

35 KG



PRODUCT SIZE

L 123 x W 39 x H 47

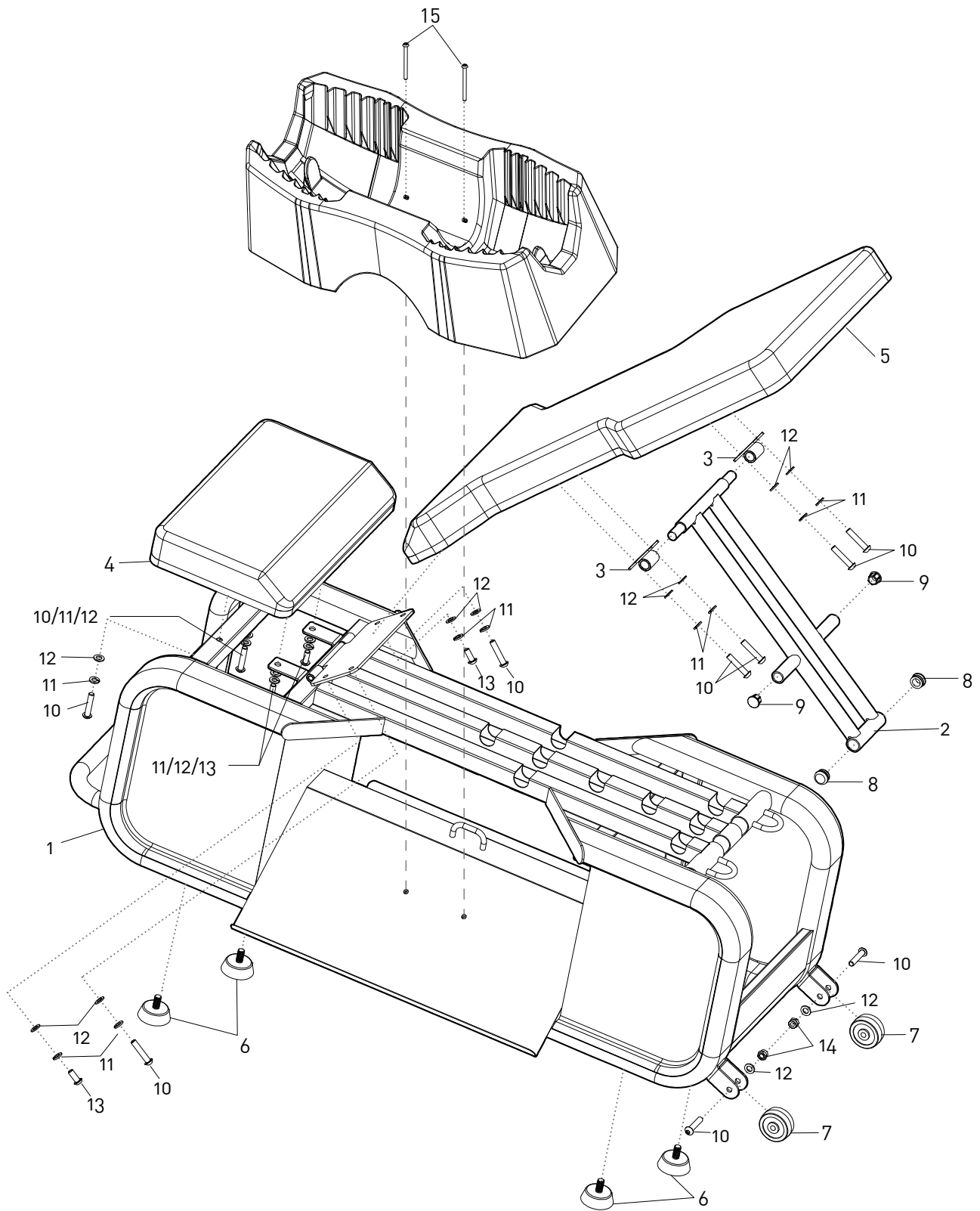


PRIMAL PERSONAL SERIES HIT BENCH PACKAGE

ITEM NO. PSWB5000

PRIMAL®

Exploded View



Parts List

No.	Discription	Q'ty
1	Main Frame	1
2	Rear Support Tube	1
3	Rear Support Connection Tube	2
4	Seat	1
5	Backrest	1
6	Adjustable Leveler (M10x25)	4
7	Transportation Wheel	2
8	Round End Cap	2
9	Round End Cap	2
10	Hex Socket Head Bolt (M8x45)	10
11	Spring Washer (M8)	12
12	Flat Washer (ø16xø8.5x2.0)	14
13	Hex Socket Head Bolt (M8x20)	4
14	Nylon Nut (M8)	2
15	Phillips Screw (M4x50)	4

Assembly Step

! NOTICE

For easier assembly: Turn the weight bench upside down.

Attach the dumbbell rack to one of the metal plates with two phillips screws (15).

